

## Universal Mounting Kit

RFID Solution Accessories



### USER ADVANTAGES:

- Allows for wall or pole mounting
- Easily assembled and configured
- Adjustable tilt and swivel angles enable optimal tuning of reader position
- Both indoor and outdoor use

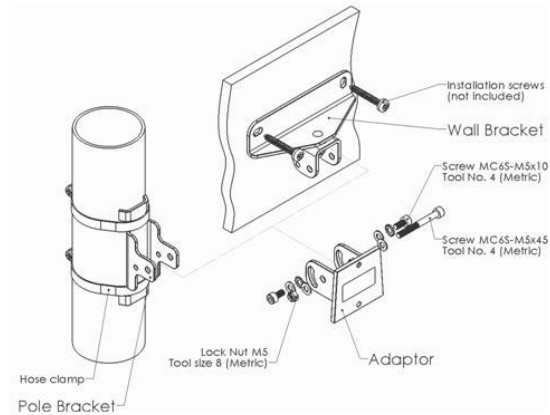
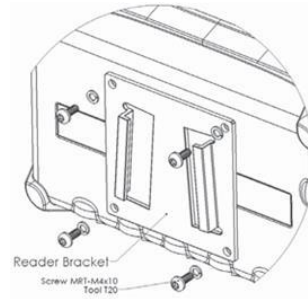
The Universal Mounting Kit (UMK) is a versatile reader bracket that can be used for wall or pole mounting of TagMaster's LR-series Readers. The UMK is very easy to assemble and configure and is suitable for both indoor and outdoor use. This mounting kit's tilt and swivel angles can be adjusted to any application's specifications enabling optimal tuning of the Reader position. The Universal Mounting Kit contains all parts needed for mounting a Reader and contains an assembly instruction manual that describes options for configuration and installation of the UMK. See Configuration Options and List of Contents for more information.

### SPECIFICATIONS

Mechanical Information	Universal Mounting Kit
<b>Part No. S1936</b>	
Weight	Wall Configuration: 474 g (17 oz) Pole Configuration: 415 g (15 oz)
Color	Metallic grey (RAL 9006)
Material	Brackets: Steel Fixings & Accessories: Stainless Steel and Nylon
Corrosion Protection	Outdoor classified paint and surface treatment
Marking	Label includes type and part number
Compatible Readers	LR-3, Part No. 154400 LR-6, Part No. 154600 LR-6 <sup>XL</sup> , Part No. 154900 XT-1, Part No. 152600 XT-3, Part No. 153200 XT-Mini, Part No. 152400

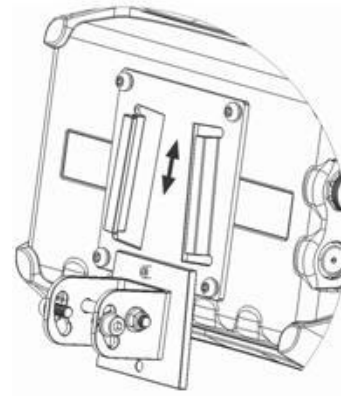
## CONFIGURATION OPTIONS AND LIST OF CONTENTS

Contents		
#	Index	Pcs.
I	Adaptor	1
II	Wall bracket	1
III	Pole bracket	1
IV	Reader bracket	1
V	Screw MC6S-M5x45	1
VI	Screw MC6S-M5x10	2
VII	Screw MRT-M4x10	4
VIII	Screw P6SS-M5x8 (not shown)	1
VIII	Washer M5	4
X	Lock Washer M5	2
XI	Lock Washer M4	4
XII	Lock Nut M5	1
XIII	Hose clamp 50-70 mm	2

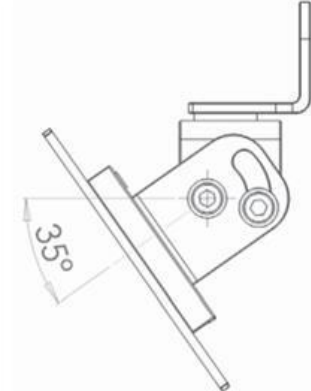
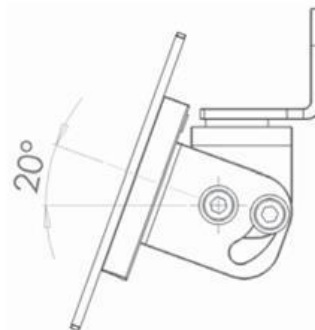
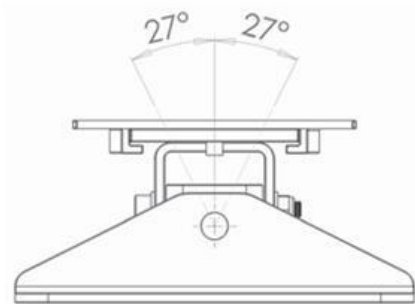


## ATTACHMENT OF READER BRACKET TO THE LR-SERIES READERS

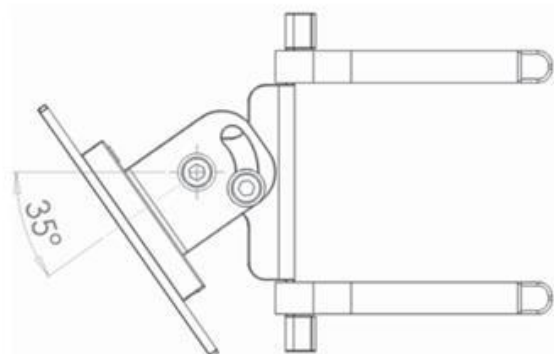
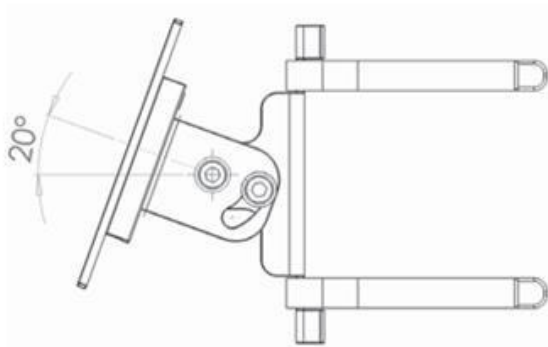
The Reader bracket is attached to the rear side of the reader. The orientation of the bracket is dependent on installation requirements. The bracket is preferably attached with the wide opening towards the cable outlets' side of the reader. The Reader bracket attached to the reader is slid on to the Adaptor.



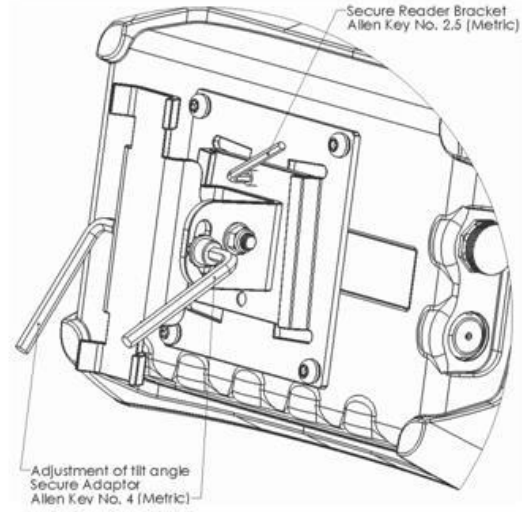
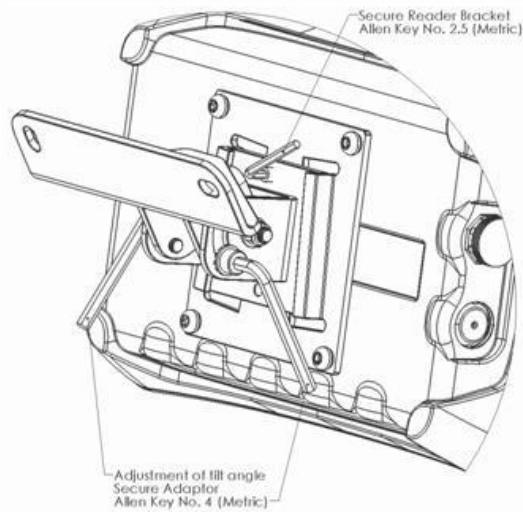
## TILT AND SWIVEL ANGLE, WALL CONFIGURATION



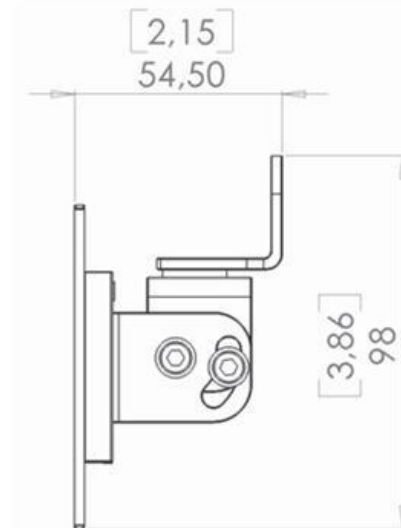
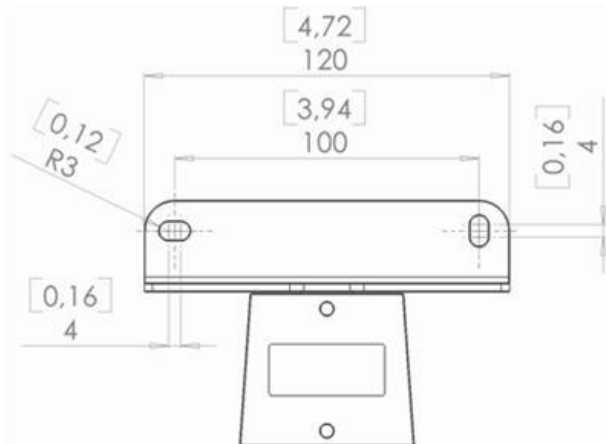
## TILT ANGLE, POLE CONFIGURATION



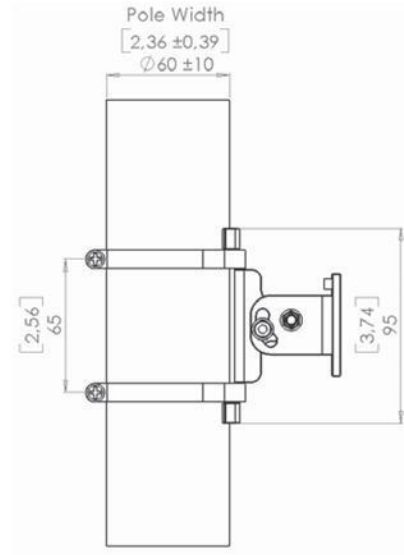
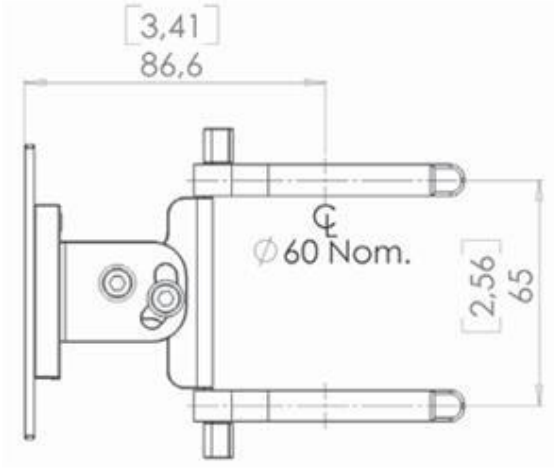
## ADJUSTMENT OF TILT AND SWIVEL ANGLE



## DIMENSIONAL DRAWING, WALL CONFIGURATION



## DIMENSIONAL DRAWING, POLE CONFIGURATION



\*The information in this document is subject to change without prior notice.\*